

# AVIGILON™ AVA QUAD CAMERA

## Avigilon Alta Cloud Security



The AI-powered Avigilon Ava Quad Camera for Alta Aware is equipped with four independent sensors to provide complete visibility. With up to 20MP resolution, 360° IR coverage and HDR for crisp, clear images, the Quad provides robust security indoors and out. On-camera storage and processing and cloud management minimize physical infrastructure, enabling plug and play configuration for fast deployments. Intelligent video and audio analytics help detect threats in real-time, and provide valuable insights to improve operations.



Multisensor security camera for flexible coverage



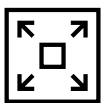
Built-in AI video and audio analytics and on-device storage



Easy to install and manage with simple onboarding



Factory-installed certificates backed by a trusted platform module (TPM)



Dynamic resolution up to 5MP on all four sensors



NDA-Compliant: designed and developed in Norway and the UK, manufactured in Taiwan



## FEATURES

### IMAGE SENSOR

4 x 5MP

### IMAGE SENSOR SIZE FORMAT

1/2.7"

### LENS

**Focal length:** 3.7 – 7.7 mm

**Aperture:** f/1.9-f/2.9

Remote zoom and focus

P-iris

### IR NIGHT VISION

Automatic night mode

IR-cut filter

Individually controlled IR LEDs

850 nm IR LED

### FIELD OF VIEW

81° ~ 39° horizontal

60° ~ 29° vertical

### MAXIMUM RESOLUTION & FRAME RATE

2592x1944@30fps per sensor

### DYNAMIC RANGE

Multi-exposure line-based HDR

### VIDEO COMPRESSION

H.264

Motion JPEG

### AUDIO

Microphone

Audio classification

### SECURITY

Trusted Platform Module (TPM 2.0)

Factory installed certificates

No default passwords

Mandatory access authentication

HTTPS/TLS encryption

### NETWORK PROTOCOLS

IPv4, HTTPS, TLS, DNS, mDNS, DNS-SD, NTP, RTSP, RTP, RTCP, ICMP, DHCP, ARP

**Streaming:** RTP/UDP, RTP/RTSP/HTTPS/TCP

### POWER SOURCE

IEEE 802.3at PoE Class 4 (PoE+)

### POWER CONSUMPTION

**Max:** 25.5W

### STORAGE

MicroSD

SDXC UHS-I

### CONNECTION

802.3ab 10/100/1000 Gigabit Ethernet

### IMPACT RESISTANCE

IK10 (IEC/EN 62262)

### INGRESS PROTECTION

IP66 (IEC/EN 60529)

### TEMPERATURE

**Storage & Operating:** -40°C to +60°C\*

\*IR not available > 50°C

### PHYSICAL CHARACTERISTICS

**Dimensions:** Ø 275x118 mm

**Weight:** 2.7 kg

**Body:** Aluminum

### EMC

CE (EN55032 Class A)

FCC (FCC Part 15 B Class A)

### SAFETY

UL (UL 62368-1)

CB (IEC/ EN 62368-1, IEC/EN 60950-22, IEC/EN 62471)

NOM-019

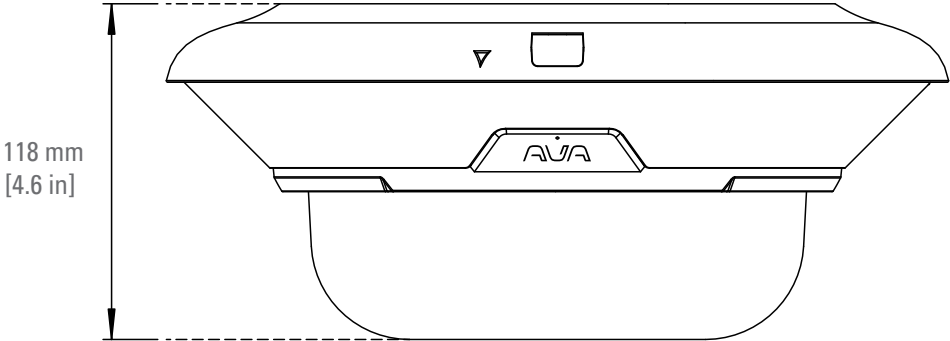
NOM-019

IEC62471 (IR LED)

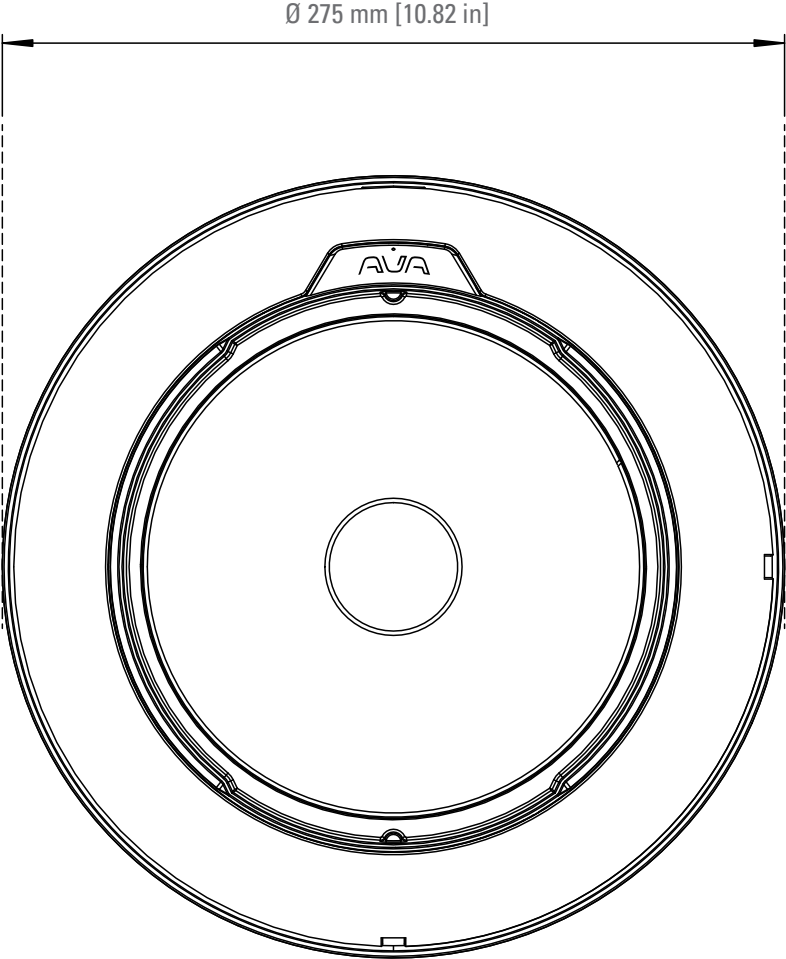
# TECHNICAL DRAWINGS

## Camera

### Side view



### Top view



# ORDERING INFORMATION

## AVIGILON AVA QUAD

PRODUCT ID	RESOLUTION	ONBOARD RETENTION
QUAD	4x 5MP	No. Cloud Connector required.
QUAD-20MP-30	4x 5MP	30 days

## ACCESSORIES

PRODUCT ID	PRODUCT NAME	COLOR
ACQ-REC-KIT	<a href="#">Avigilon Ava Recessed Kit</a>	White
ACQ-PEN-HEA	<a href="#">Avigilon Ava Pendant Head</a>	White
ACQ-PEN-PIP	<a href="#">Avigilon Ava Pendant Pipe 40cm</a>	White
ACQ-WAL-MNT	Avigilon Ava Wall Mount Bracket	White
ACQ-POL-MNT	<a href="#">Avigilon Ava Pole Bracket</a>	White
ACQ-CRN-MNT	<a href="#">Avigilon Ava Corner Bracket</a>	White
ACQ-MNT-ADA	<a href="#">Avigilon Ava Mounting Adapter</a>	White

To learn more, visit:  
[www.avigilon.com](http://www.avigilon.com)



Motorola Solutions, Inc. 500 West Monroe Street, Chicago, IL 60661 U.S.A. [motorolasolutions.com](http://motorolasolutions.com)

© 2023, Avigilon Corporation. All rights reserved. MOTOROLA, MOTO, MOTOROLA SOLUTIONS and the Stylized M Logo are trademarks or registered trademarks of Motorola Trademark Holdings, LLC and are used under license. All other trademarks are the property of their respective owners. 09-2023 [DS02]